

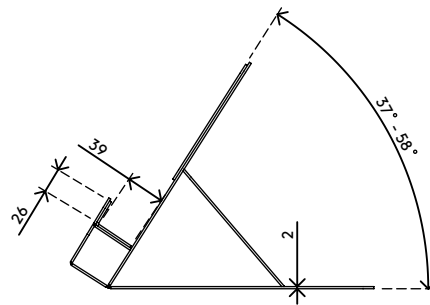
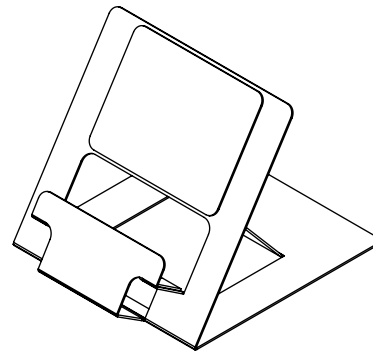
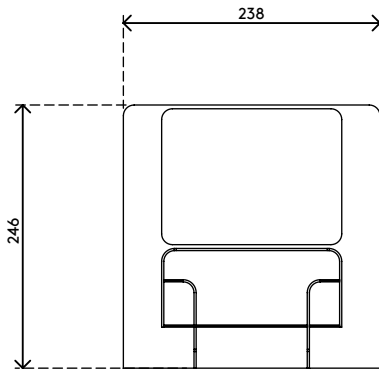


51.388

Addit notebook riser - adjustable 388

A foldable, height adjustable notebook riser made of Hylite, a feather-light sandwich material composed of aluminium and PP-synthetics. Both strong and durable, this riser folds into a 6 mm thin package that weighs only 360 g. Includes a pouch that can also be used as a mouse mat.

- Suitable for notebooks up to 18"
- Raises a notebook to eye level
- Leaves all notebook ports and drives accessible
- 2 mm thick Hylite composite material
- Max. weight capacity 4 kg
- Comes with pouch which can also be used as a mouse mat
- Height adjustable from 151 - 211 mm in 4 steps: 37°, 41°, 50°, 55°, 58°
- Cut-outs for proper airflow to notebook's air intake
- Foldable into a small package just 6 mm thin and weighing 360 g
- Elegant folding mechanism




4 kg

Addit notebook riser - adjustable 388

2016/11/22

51.388

 290 x 312 x 15 mm

 1 pcs

 silver

 0,475 kg

 805410513887